



龐誼科技股份有限公司

Palm Technology Co., Ltd.

NUMBERING SYSTEM

EXPLANATION OF MODEL CODE

| | | | | | | | | | | | | |
|-----|-----|-----|---|---|-----|---|-----|-----|-----|-----|---|---|
| P? | C | 1 | 6 | 0 | 2 | C | W | - | T | G | L | U |
| (1) | (2) | (3) | | | (4) | | (5) | (6) | (7) | (8) | | |

(1) Symbol of LCD Modules

(2) Module type :

“C” : Character Modules

“G” : Graphics Modules

(3) Development number : Successive NO.

(4) Temperature range : “ ” (Nil) : Normal , ”W” : Extended

(5) LCD type : “T” : TN , “S” : STN , “F” : FSTN

(6) Background color : “W” : FSTN White , “G” : Gray , “Y” : Yellow-green , “B” : Negative

(7) Backlight : “R” : Reflective , no backlight

“E” : EL backlight

“L” : LED backlight

“F” : CCFL backlight

“T” : Transflective Type , but without Backlight

(8) Viewing direction or backlight color :

“ ” (Nil) : 6 o'clock

“U” : 12 o'clock : available in certain models only

“W” : White backlight

“B” : Blue-Green backlight

“O” : Orange backlight

INFORMATION ON ORDERING

- ◆ Model Code
- ◆ Display Technology (TN, STN , FSTN)
- ◆ Background color (G , Y , B , or W)
- ◆ Backlight (E , L , F , R)
- ◆ Temperature range (normal , extended)
- ◆ Viewing direction (3:00 , 6:00 , 9:00 , 12:00)
- ◆ Polarizer type 【 reflective , transmissive (positive , negative) , transflective 】



龐誼科技股份有限公司

Palm Technology Co., Ltd.

■ STANDARD CHARACTER LCD MODULE

| DISPLAY FORMAT CHAR x LINE | MODEL NO. | MODULE SIZE W x H mm | VIEWING AREA W x H mm | CHARACTER SIZE W x H mm | DOT SIZE W x H mm | DOT PITCH W x H mm | Driving Method Duty | Assembly way | Versions | | | | | Built-in Control LSI |
|----------------------------------|-----------|----------------------------|-----------------------------|-------------------------------|----------------------|-----------------------|---------------------------|-----------------|----------|-----|---|---|---|-----------------------|
| | | | | | | | | | TN | STN | R | E | L | |
| 10 x 1 | PMC1001A | 80.0 x 36.0 | 64.5 x 16.0 | 4.84 x 8.06 | 0.92 x 1.10 | 0.98 x 1.16 | 1/16 | COB | ○ | ○ | ○ | ○ | ○ | KS0066U or Equivalent |
| 16 x 1 | PMC1601A | 80.0 x 36.0 | 64.5 x 16.0 | 3.07 x 5.73 | 0.55 x 0.75 | 0.63 x 0.83 | 1/16 | COB | ○ | ○ | ○ | ○ | ○ | KS0066U or Equivalent |
| 16 x 1 | PMC1601B | 85.0 x 30.0 | 64.5 x 16.0 | 3.07 x 5.73 | 0.55 x 0.75 | 0.63 x 0.83 | 1/16 | COB | ○ | ○ | ○ | ○ | ○ | KS0066U or Equivalent |
| 16 x 1 | PMC1601H | 122.0 x 33.0 | 99.0 x 13.0 | 4.85 x 8.06 | 0.92 x 1.10 | 0.98 x 1.16 | 1/16 | COB | ○ | ○ | ○ | ○ | ○ | KS0066U or Equivalent |
| 16 x 2 | PMC1602C | 80.0 x 36.0 | 64.5 x 16.0 | 2.96 x 4.86 | 0.56 x 0.66 | 0.60 x 0.70 | 1/16 | COB | ○ | ○ | ○ | ○ | ○ | KS0066U or Equivalent |
| 16 x 2 | PMC1602D | 85.0 x 30.0 | 64.5 x 16.0 | 2.96 x 4.86 | 0.56 x 0.66 | 0.60 x 0.70 | 1/16 | COB | ○ | ○ | ○ | ○ | ○ | KS0066U or Equivalent |
| 16 x 2 | PMC1602E | 84.0 x 44.0 | 64.5 x 16.0 | 2.96 x 4.86 | 0.56 x 0.66 | 0.60 x 0.70 | 1/16 | COB | ○ | ○ | ○ | ○ | ○ | KS0066U or Equivalent |
| 16 x 2 | PMC1602F | 85.0 x 36.0 | 64.5 x 16.0 | 2.96 x 4.86 | 0.56 x 0.66 | 0.60 x 0.70 | 1/16 | COB | ○ | ○ | ○ | ○ | ○ | KS0066U or Equivalent |
| 16 x 2 | PMC1602J | 122.0 x 44.0 | 99.0 x 24.0 | 4.84 x 8.06 | 0.92 x 1.10 | 0.98 x 1.16 | 1/16 | COB | ○ | ○ | ○ | ○ | ○ | KS0066U or Equivalent |
| 16 x 2 | PMC16021J | 106.5 x 43.5 | 99.0 x 24.0 | 4.84 x 8.06 | 0.92 x 1.10 | 0.98 x 1.16 | 1/16 | COB | ○ | ○ | ○ | ○ | ○ | KS0066U or Equivalent |
| 16 x 2 | PMC1602M | 85.0 x 32.6 | 64.5 x 16.0 | 2.96 x 4.86 | 0.56 x 0.66 | 0.60 x 0.70 | 1/16 | COB | ○ | ○ | ○ | ○ | ○ | KS0066U or Equivalent |
| 16 x 2 | PMC1602Q | 65.5 x 36.7 | 51.8 x 14.8 | 2.45 x 4.08 | 0.45 x 0.54 | 0.50 x 0.59 | 1/16 | COB | ○ | ○ | ○ | ○ | ○ | KS0066U or Equivalent |
| 16 x 2 | PMC1602X | 59.0 x 29.3 | 52.0 x 15.0 | 2.45 x 4.08 | 0.45 x 0.54 | 0.50 x 0.59 | 1/16 | COB | ○ | ○ | ○ | | ○ | KS0066U or Equivalent |
| 16 x 2 | PMCG1602B | 69.5 x 77.4 | 61.0 x 15.1 | 2.95 x 5.55 | 0.55 x 0.65 | 0.60 x 0.70 | 1/16 | COG | ○ | | ○ | | | NT7603 |
| 16 x 4 | PMC1604B | 87.0 x 60.0 | 61.8 x 25.2 | 2.95 x 4.15 | 0.56 x 0.56 | 0.60 x 0.60 | 1/16 | COB | ○ | ○ | ○ | ○ | ○ | KS0066U or Equivalent |
| 20 x 1 | PMC2001A | 182.0 x 35.5 | 154.0 x 15.3 | 6.70 x 9.40 | 1.30 x 1.30 | 1.35 x 1.35 | 1/16 | COB | ○ | ○ | ○ | ○ | ○ | KS0066U or Equivalent |
| 20 x 2 | PMC2002A | 116.0 x 37.0 | 84.0 x 19.0 | 3.20 x 4.85 | 0.60 x 0.65 | 0.65 x 0.70 | 1/16 | COB | ○ | ○ | ○ | ○ | ○ | KS0066U or Equivalent |

| | | | | | | | | | | | | | | |
|--------|----------|--------------|--------------|---------------|---------------|---------------|------|-----|---|---|---|---|---|-----------------------|
| 20 x 4 | PMC2004E | 98.0 x 60.0 | 76.0 x 25.2 | 2.95 x 4.15 | 0.55 x 0.55 | 0.65 x 0.60 | 1/16 | COB | ○ | ○ | ○ | ○ | ○ | KS0066U or Equivalent |
| 20 x 4 | PMC2004F | 59.0 x 29.3 | 52.0 x 15.0 | 1.845 x 1.845 | 0.345 x 0.345 | 0.375 x 0.375 | 1/16 | COB | | ○ | ○ | | ○ | KS0075P |
| 24 x 2 | PMC2402A | 118.0 x 36.0 | 96.0 x 18.8 | 3.20 x 4.85 | 0.60 x 0.65 | 0.65 x 0.70 | 1/16 | COB | ○ | ○ | ○ | ○ | ○ | KS0066U or Equivalent |
| 40 x 2 | PMC4002A | 182.0 x 33.5 | 154.0 x 15.3 | 3.20 x 4.85 | 0.60 x 0.65 | 0.65 x 0.70 | 1/16 | COB | ○ | ○ | ○ | ○ | ○ | KS0066U or Equivalent |
| 40 x 4 | PMC4004A | 190.0 x 54.0 | 149.0 x 31.0 | 2.78 x 4.27 | 0.52 x 0.57 | 0.57 x 0.62 | 1/16 | COB | ○ | ○ | ○ | ○ | ○ | KS0066U or Equivalent |

■ STANDARD GRAPHIC LCD MODULE

| DISPLAY FORMAT CHAR x LINE | MODEL NO. | MODULE DIMENSIONS W x H mm | VIEWING AREA W x H mm | DOT SIZE W x H mm | DOT PITCH W x H mm | Driving Method Duty | Assembly way | Versions | | | | | | Built-in Control LSI Recommend sign ^{***} |
|----------------------------------|-----------|----------------------------------|--------------------------|----------------------|-----------------------|---------------------------|-----------------|----------|-----|---|---|---|------|---|
| | | | | | | | | FSTN | STN | R | E | L | CCFL | |
| 95 x 55 | PTG9655A | 37.0 x 49.9 | 33.0 x 23.0 | 0.3 x 0.35 | 0.32 x 0.37 | 1/55 | COG | ○ | | ○ | | | | SSD1812Z |
| 96x26 | PHG0902A | 33.0 x 35.4 | 25.985x10.0 | 0.235x0.235 | 0.25x0.25 | 1/33 | TAB | ○ | | | ○ | ○ | | NT7502H-BDT |
| 96 x 32 | PMG0903B | 33.0 x 33.9 | 30.0 x 9.5 | 0.235 x 0.235 | 0.250 x 0.250 | 1/33 | TAB | ○ | | | ○ | ○ | | NT7502H-BDT |
| 96x32 | PMG0903D | 33.0 x 35.4 | 26.985x10.0 | 0.235x0.235 | 0.25x0.25 | 1/33 | TAB | ○ | | | ○ | ○ | | NT7502 |
| 96x64 | PHG0906A | 26.6 x 23.96 | 21.225x15.145 | 0.175 x 0.175 | 0.19 X 0.19 | 1/65 | COG | ○ | | | ○ | | | S6B0724 |
| 100 x 64 | PMG1006B | 68.0 x 43.8 | 57.0 x 35.0 | 0.47 x 0.47 | 0.50 x 0.50 | 1/64 | COB | ○ | ○ | ○ | | ○ | | SED1560 |
| 100 x 64 | PMGG1006C | 48.0 x 40.0 | 44.0 x 27.0 | 0.33 x 0.33 | 0.36 x 0.36 | 1/64 | COG | ○ | | ○ | | | | SPLC501C |
| 112 x 64 | PLG1106A | 35.2 x 29.54 | 31.4 x 19.04 | 0.23 x 0.23 | 0.25 x 0.25 | 1/64 | COG | ○ | | | ○ | | | SSD1815 |
| 122 x 32 | PMG1203D | 68.0 x 31.7 | 57.2 x 17.7 | 0.39 x 0.39 | 0.43 x 0.43 | 1/32 | COB | ○ | ○ | ○ | ○ | ○ | | SED1520 |
| 122 x 32 | PMG1203E | 84.0 x 44.0 | 57.2 x 17.7 | 0.39 x 0.39 | 0.43 x 0.43 | 1/32 | COB | ○ | ○ | ○ | ○ | ○ | | SED1520 |
| 122 x 32 | PMG1203L | 59.0 x 29.3 | 52.0 x 15.0 | 0.345 x 0.345 | 0.375 x 0.375 | 1/32 | COB | ○ | ○ | ○ | ○ | ○ | | SED1520 |
| 128X32 | PHG1203A | 32.0 x 16.5 | 28.0 x 8.06 | 0.17 x 0.17 | 0.19 x 0.19 | 1/33 | COG | ○ | | | ○ | | | S6B1713 |
| 128x48 | PHG1204A | 36.5 x 19.68 | 33.5 x 14.38 | 0.23 x 0.21 | 0.25 x 0.23 | 1/49 | TAB | ○ | | | ○ | | | NT7502 |
| 128 x 64 | PLG1206A | 35.0 x 43.92 | 29.58 x 17.98 | 0.18 x 0.23 | 0.20 x 0.25 | 1/64 | TAB | ○ | | ○ | | | | S6B0713 |
| 128 x 64 | PSG1206A | 40.5 x 34.0 | 33.8 x 22.2 | 0.225 x 0.285 | 0.24 x 0.3 | 1/64 | COG | ○ | | | | ○ | | NT7502 |
| 128 x 64 | PMG1206B | 93.0 x 70.0 | 71.7 x 39.0 | 0.48 x 0.48 | 0.52 x 0.52 | 1/64 | COB | ○ | ○ | ○ | ○ | ○ | | KS0107B |
| 128 x 64 | PMG12064E | 63.2 x 54.0 | 54.0 x 36.0 | 0.35 x 0.45 | 0.39 x 0.39 | 1/64 | COB | ○ | ○ | ○ | ○ | ○ | | KS0107B |
| 128 x 64 | PSG1206E | 42.0 x 30.0 | 37.0 x 20.0 | 0.27 x 0.28 | 0.24 x 0.28 | 1/64 | COG | ○ | | ○ | ○ | | | NT7502 |
| 128x64 | PSG1206K | 32.0 x 23.0 | 28.0 x 14.1 | 0.17 x 0.17 | 0.19 x 0.19 | 1/64 | COG | ○ | | | ○ | ○ | | S6B1713 |
| 128 x 64 | PTG1206G | 57.0 x 64.4 | 52.6 x 27.5 | 0.355 x 0.355 | 0.38 x 0.38 | 1/64 | COG | ○ | | ○ | | | | NJU6676 |
| 128 x 80 | PSG1208A | 41.2 x 35.5 | 34.38 x 22.98 | 0.23 x 0.23 | 0.25 x 0.25 | 1/80 | COG | ○ | ○ | ○ | | ○ | | S6B0759 |
| 128 x 128 | PHG1212B | 35.2 x 42.7 | 32.0 x 36.5 | 0.21 x 0.18 | 0.235 x 0.2 | 1/128 | TAB | ○ | ○ | ○ | | ○ | | S6B0741 |

| | | | | | | | | | | | | | | |
|------------------|-----------------|----------------|----------------|---------------|---------------|-------|-----|---|---|---|---|---|---|-------------------------|
| 132 x 48 | PMG1304A | 37.6 x 36.9 | 34.6 x 12.8 | 0.215 x 0.215 | 0.23 * 0.23 | 1/48 | TAB | ○ | ○ | ○ | ○ | ○ | | NT7502H-BDT |
| 132 x 65 | PMG1306A | 113.0 x 79.0 | 109.0 x 65.0 | 0.72 x 0.87 | 0.75 x 0.90 | | | | | | | | | |
| 132 x 65 | PMG1306B | | | | | | | | | | | | | |
| 160 x 105 | PHG1610B | 85.0 x 87.6 | 80.0 x 60.0 | 0.44 x 0.49 | 0.475 x 0.525 | 1/105 | TAB | | | | | | | S6B0719TB-01 |
| 160x160 | POG1616A | 54.48 x 57.9 | 45.68 x 45.68 | 0.245 x 0.245 | 0.265 x 0.265 | 1/160 | | | | | | | | |
| 160x160 | PMG1616A | | | | | | | | | | | | | |
| 160 x 240 | PMG1624A | 60.7 x 75.6 | 47.5 x 67.6 | 0.225 x 0.225 | 0.24 x 0.24 | 1/240 | TAB | | | | | | | * (SED1335 / MSM6255) |
| 240 x 64 | PMG24065B | 140.0 x 60.0 | 111.6 x 37.0 | 0.41 x 0.47 | 0.44 x 0.50 | 1/64 | COB | ○ | ○ | ○ | ○ | ○ | | LC7981 |
| 240 x 64 | PMG24065F | 125.0x60.0 | 111.6x37.0 | 0.41x0.47 | 0.44x0.50 | 1/64 | COB | ○ | ○ | ○ | ○ | ○ | | T6963C |
| 240 x 64 | PMG24065G | 180.0 x 65.0 | 134.0 x 40.0 | 0.49 x 0.49 | 0.53 x 0.53 | 1/64 | COB | ○ | ○ | ○ | ○ | ○ | | T6963C |
| 240 x 128 | PTG2412B | 144.0 x 104.0 | 114.0 x 64.0 | 0.40 x 0.40 | 0.45 x 0.45 | 1/128 | COB | ○ | ○ | ○ | | ○ | ○ | T6963C |
| 240 x 160 | PSG2416G | 75.4 x 71.1 | 41.40 x 60.6 | 0.22 x 0.22 | 0.24 x 0.24 | 1/160 | COG | ○ | ○ | ○ | ○ | | | * (SED1335 / MSM6255) |
| 240 x 320 | PMG2432H | 70.1 x 92.1 | 60.6 x 79.8 | 0.225 x 0.225 | 0.24 x 0.24 | 1/240 | TAB | | | | | ○ | | * (SED1335 / MSM6255) |
| 320 x 240 | PMG3224A | 167.5 x 109.0 | 122.0 x 92.0 | 0.33 x 0.33 | 0.36 x 0.36 | 1/240 | SMD | ○ | ○ | | | ○ | ○ | * (SED1335 / MSM6255) |
| 320 x 240 | PMG3224C | 164.92 x 110.0 | 121.0 x 92.2 | 0.33 x 0.33 | 0.36 x 0.36 | 1/240 | SMD | ○ | ○ | | | ○ | ○ | * (SED1335 / MSM6255) |
| 320 x 240 | PMG3224M | 167.5 x 109.0 | 122.0 x 92.0 | 0.33 x 0.33 | 0.36 x 0.36 | 1/240 | TAB | ○ | ○ | | | ○ | ○ | SED1335 |
| 320 x 240 | PSG3224S | 167.5 x 109.0 | 121.0 x 91.0 | 0.33 x 0.33 | 0.345x 0.345 | 1/240 | TAB | ○ | ○ | | | ○ | ○ | * (SED1335 / MSM6255) |
| 480 x 320 | PMG4832A | 159.5 x 104.0 | 119.985 x 87.2 | 0.235 x 0.235 | 0.25 x 0.25 | 1/320 | SMD | ○ | ○ | | | | ○ | * (SED1365) |
| 640 x 480 | PMG6448A | 260.0 x 174.0 | 197.0 x 147.6 | 0.27 x 0.27 | 0.3 x 0.3 | 1/240 | SMD | ○ | ○ | | | | ○ | * (SED1365) |
| 640 x 480 | PMG6448B | 197.0 x 145.0 | 153.0 x 115.74 | 0.217 x 0.217 | 0.237 x 0.237 | 1/240 | SMD | ○ | ○ | | | | ○ | * (SED1365) |



龐誼科技股份有限公司

Palm Technology Co., Ltd.

■ STANDARD COLOR STN LCD MODULE

| DISPLAY FORMAT CHAR x LINE | MODEL NO. | MODULE DIMENSIONS W x H mm | VIEWING AREA W x H mm | DOT SIZE W x H mm | DOT PITCH W x H mm | Driving Method Duty | Versions | | | Built-in Controller LSI |
|-------------------------------|-----------|-------------------------------|--------------------------|----------------------|-----------------------|------------------------|----------|---|------|-------------------------|
| | | | | | | | R | L | CCFL | |
| 120 x 3 (R.G.B) x 160 | PUG18A | 40.1 x 46.1 | 28.6 x 37.5 | 0.059 x 0.207 | 0.074 x 0.222 | 1/160 | | ○ | | |
| 120 x 3 (R.G.B) x 160 | PUG19A | 35.7 x 48.8 | 32.7 x 40.0 | 0.227 x 0.222 | 0.237 x 0.237 | 1/160 | | ○ | | |
| 320 x 3 (R.G.B) x 240 | PUG38A | 92.0 x 73.0 | 78.8 x 59.6 | 0.065 x 0.225 | 0.080 x 0.240 | 1/240 | | ○ | ○ | |
| 320 x 3 (R.G.B) x 240 | PUG57A | 154.6 x 114.8 | 118.18 x 89.38 | 0.105 x 0.345 | 0.120 x 0.360 | 1/240 | | | ○ | |

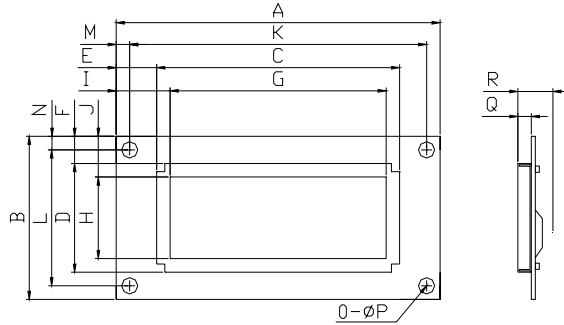
■ STANDARD TFT LCM

| DISPLAY FORMAT CHAR x LINE | MODEL NO. | MODULE DIMENSIONS W x H mm | VIEWING AREA W x H mm | DOT SIZE W x H mm | DOT PITCH W x H mm | Driving Method Duty | Versions | | | Built-in Controller LSI |
|-------------------------------|-------------|-------------------------------|--------------------------|----------------------|-----------------------|------------------------|----------|---|------|-------------------------|
| | | | | | | | R | L | CCFL | |
| 2.45" | PSG25A-TCF | 40.1 x 46.1 | 28.6 x 37.5 | 0.059 x 0.207 | 0.074 x 0.222 | 1/160 | | ○ | | |
| 3.5" | PSG35A-TCF | 35.7 x 48.8 | 32.7 x 40.0 | 0.227 x 0.222 | 0.237 x 0.237 | 1/160 | | ○ | | |
| 5.6" | PSG56A-TCF | 92.0 x 73.0 | 78.8 x 59.6 | 0.065 x 0.225 | 0.080 x 0.240 | 1/240 | | ○ | ○ | |
| 7.0" | P PSG70-TCF | 154.6 x 114.8 | 118.18 x 89.38 | 0.105 x 0.345 | 0.120 x 0.360 | 1/240 | | | ○ | |



■ CHECK POINTS OF CUSTOM DESIGNED LCD MODULE

1. DIMENSIONS



- MODULE SIZE : A _____ B _____
- LCD HOUSING : C _____ D _____
- VIEWING AREA : G _____ H _____
- MOUNTING HOLE : K _____ L _____
- THICKNESS : Q _____ R _____
- HOLE DIAMETER : P _____

2. Display Contents

- Character type _____ characters _____ lines
- Character font _____ x _____ mm + cursor
- Graphic type _____ dots
- Others _____

7. Backlight

- | | | | | |
|--------------|---------|---------|------|--------|
| | Without | With | | |
| · Type : | EL | LED | CCFL | Others |
| · Color : | _____ | | | |
| · Inverter : | Need | No Need | | |

3. LCD

- Viewing angle : 6 O'clock _____ 12 O'clock _____
 Other _____ O'clock _____
- Type : TN STN FSTN Others
 Positive type Negative type
 Reflective Transmissive
 Transflective
- Background color : Y-G Gray
 Blue B/W

8. Material

- PCB : FR-4 CEM-3 Others
 Thick _____
- Bezel : SPCC. SUS. SECC
 Other _____
 Plating Printing

4. Driving method

- Multiplexing : 1/_____ Duty, 1/_____ Bias
- Frame frequency : _____ HZ
- Power supply : Single : VDD : V
 Dual power : VDD : V
 VEE : V

5. Driving IC

- LCD driver : Segment _____
 Common _____
- Controller : _____ Built - in type
 Attached type

6. Terminal

9. Temperature Range

- Operating temperature range : _____ °C to _____ °C
- Storage temperature range : _____ °C to _____ °C

10. Application

11. Schedule

- Estimate _____
- Sample Delivery Date : _____

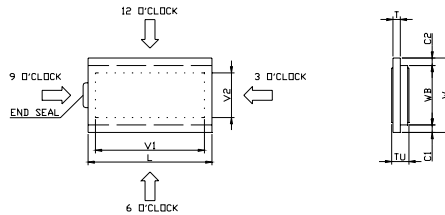
Pattern only : Top / Bottom / Left / Right
Connector : Model No. _____

Quantity _____ Per month
Mass production Date : _____
Quantity _____ Per month



CHECK POINTS OF CUSTOM DESIGNED LCD PANEL

1. Dimensions

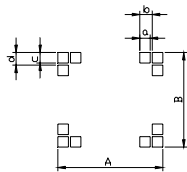


L : Horizontal length of upper glass _____ mm
 W : Vertical length of upper glass _____ mm
 WB : Vertical length of lower glass _____ mm
 T : Thickness of glass 1.1 mm 0.7 mm
 TU : Thickness of LCD _____ mm
 End seal : Right Left Right or Left

V1 : Horizontal length of view area _____ mm
 W : Vertical length of view area _____ mm
 C1 : Terminal length _____ mm
 C2 : Terminal length _____ mm
 * C1 or C2 = 0 in case of one side terminal type

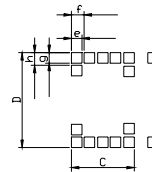
2. Display Resolution

Graphic Type



Resolution : _____ x _____
 Dot size : a = _____ mm x c = _____ mm
 Dot pitch : b = _____ mm x d = _____ mm
 Active area : A = _____ mm x B = _____ mm

Character Type



Resolution : _____ characters x _____ lines
 Fond : 5x7 5x8 5x11 5x7 + cursor
 Dot size : e = _____ mm x g = _____ mm
 Dot pitch : f = _____ mm x h = _____ mm
 Character size : C = _____ mm x D = _____ mm

3. Display Mode

- Viewing Angle : (Viewing direction)
 6 o'clock 12 o'clock _____ o'clock
- Type
 STN Yellow Gray Blue
 FSTN Normally black normally white
 Others _____
 Positive type Negative type
- Rear polarizer :
 Reflective Transflective Transmissive

5. Operation Voltage

- Operation voltage _____ V
- Multiplexing : 1/ _____ duty, 1/ _____ bias
 According to PalmTech's design
- Frame frequency _____ H

6. Temperature Range

- Operating temperature range :
 _____ °C to _____ °C
- Storage temperature range :
 _____ °C to _____ °C

4. Polarizer

- Visual specifications
 Normal Anti-glare

7. Developing Schedule

- Sample Delivery Date : _____
- Quantity _____ Per month

Special requirement _____

Mass production Date : _____

Quantity _____ Per month